



# SMART Board® GX (V4) Plus series



Display	
<b>Screen sizes (diagonal)</b>	65"   75"   86"
<b>Backlight</b>	LED
<b>Aspect ratio</b>	16:9
<b>Maximum display resolution</b>	4K UHD (3840 × 2160)
<b>Refresh rate</b>	60 Hz
<b>Lifespan</b>	≥ 50,000 hours
<b>Brightness<sup>1</sup></b>	400 cd/m <sup>2</sup>
<b>Display response time</b>	≤ 8 ms
<b>Viewing angle</b>	178°
<b>Glass</b>	Full heat-tempered   Anti-glare   Bonded
<b>Frame color</b>	White
<b>Convenience buttons</b>	Power   Home   Volume   Freeze frame
<b>Sensors</b>	Ambient light   Infrared
<b>Audio</b>	2 integrated 20W speakers with high fidelity audio

Interactive experience	
<b>Touch technology</b>	Advanced infrared
<b>Touch features</b>	Simultaneous tool differentiation <sup>2</sup> Object Awareness™ <sup>3</sup> Silktouch™
<b>Typical touch response time</b>	≤ 5 ms
<b>Frame rate</b>	≥ 200 Hz
<b>Accuracy</b>	1 mm
<b>Minimum object size</b>	2 mm
<b>Multitouch capabilities</b>	Up to 50 touch points (OS dependent)
<b>Tools included</b>	Pens (x2)
<b>Tool holders</b>	Magnetic   Frame-mounted

Software	
<b>Included</b>	Embedded Android OS SMART Mirror SMART Notebook® SMART Product Drivers and SMART Ink®
<b>Optional</b>	SMART Notebook Plus Lumio™ SMART Meeting Pro® SMART TeamWorks™ SMART Remote Management

<sup>1</sup>Brightness of individual displays can vary.

<sup>2</sup>A connected computer with SMART Product Drivers is required. Only supported in SMART Notebook and SMART Ink.

<sup>3</sup>When connected to a computer with SMART Product Drivers

Embedded Android OS	
<b>Operating system</b>	Android version 14.0 (forward compatible)
<b>CPU</b>	Octa-core
<b>Memory</b>	8 GB DDR4
<b>OS architecture</b>	64-bit
<b>Storage</b>	64 GB (up to 576 GB)
<b>User interface</b>	4K UHD (3840 × 2160)
<b>Digital whiteboard</b>	✓
<b>Web browser</b>	✓
<b>Screen sharing</b>	✓
<b>Google Play™ Protect Certified</b>	✓
<b>Google Play Store</b>	✓
<b>Other features</b>	Input select File manager Overlay Split screen Picture-in-picture (PIP) with touch pass-through Interactive widgets App library
<b>Ability to run third-party applications</b>	✓
<b>Cloud storage access</b>	✓
<b>Languages supported</b>	Albanian   Arabic   Bengali   Bulgarian   Chinese (simplified)   Chinese (traditional)   Croatian   Czech   Danish   Dutch   English   Estonian   Finnish   French   German   Greek   Gujarati   Hindi   Hungarian   Indonesian   Italian   Kannada   Kazakh   Latvian   Lithuanian   Marathi   Norwegian   Polish   Portuguese   Punjabi   Romanian   Russian   Serbian   Slovenian   Spanish   Swedish   Tamil   Telugu   Thai   Turkish   Ukrainian   Vietnamese
<b>Updates</b>	Over-the-air (OTA)

OPS computing	
<b>SMART OPS modules<sup>4</sup></b>	SMART PCM modules
<b>OPS power</b>	90 W
<b>More information</b>	See > <a href="https://smarttech.com/accessories">smarttech.com/accessories</a>

Inputs	Front	Back
OPS PC accessory slot	–	1
microSD slot	–	1
HDMI® 2.1 4K@ 60Hz with HDCP 1.4, HDCP 2.2/2.3, and ARC support <sup>5</sup>	1	2
Display Port 1.4a with HDCP 1.4 and HDCP 2.2/2.3 support	–	1
VGA video	–	1
Stereo 3.5 mm	–	1
RS-232 (DB-9 connector)	–	1
RJ45 (LAN In)	–	1
USB Type-C 4K @ 60Hz Display Port alternate mode, touch, digital audio, USB 3.2 Gen 1 (DFP) for peripherals; up to 65 W power delivery	1	–
USB Type-C 4K @ 60Hz Display Port alternate mode, touch, digital audio, USB 3.2 Gen 1 (DFP) for peripherals; up to 15 W power delivery	–	1
USB 3.2 Gen 1 Type-A	2	3
USB 3.0 Type-B	1	1

Outputs	Front	Back
HDMI 2.1 4K @ 60Hz with HDCP 1.4 and 2.3 support	–	1
Stereo 3.5 mm (variable)	–	1
S/PDIF optical (fixed)	–	1
RJ45 (LAN Out)	–	1

<sup>4</sup>The support and performance of third-party OPS (Open Pluggable Specification) and OPS-C modules may vary. Conduct proper compatibility testing to avoid potential issues.

<sup>5</sup>ARC support is available only with the HDMI 1 input.

Included cables and accessories	Qty
Country-specific power cable	1
16' 5" (5 m) USB 2.0 A to B cable	1
6' (1.8 m) USB 3.2 Gen 1 Type-C cable, 5A	1
Pens	2
External dual-band Wi-Fi (2.4 and 5 GHz) and Bluetooth® (2.4 GHz) antennas	2
Remote control	1
AAA batteries	2
Illustrated installation instructions	1
Important information document	1

### Connectivity

<b>Wired</b>	RJ45 (×2) 1000BASE-T
<b>Wi-Fi</b>	IEEE 802.11ax (Wi-Fi 6) supporting WEP, WPA, WPA2, WPA3 and PSK authentication protocols Wi-Fi access point
<b>Bluetooth</b>	5.2

### Storage and operating requirements

<b>Power requirements</b>	100V to 240V AC, 50 Hz to 60 Hz
<b>Operating temperature</b>	32–104°F (0–40°C)
<b>Storage temperature</b>	14–140°F (-10–60°C)
<b>Humidity</b>	20–80% relative humidity, non-condensing

### Power consumption

<b>Typical</b>	65": 81 W
	75": 90 W
	86": 119 W
<b>Standby</b>	0.2 W

### Certification and compliance<sup>6</sup>

<b>Regulatory models</b>	IDGX65-4   IDGX75-4   IDGX86-4
<b>US / Canada</b>	UL   cUL   FCC   ISED   TSCA   CONEG Packaging   Proposition 65
<b>EU / EEA / EFTA / UK</b>	CE   UKCA   LVD   CB   EMC   RED   REACH   RoHS   Battery   WEEE   Packaging   POP   Ecodesign
<b>Australia / New Zealand</b>	RCM   RSM
<b>Performance standards</b>	ENERGY STAR®   HDMI   HDCP

### Purchasing information<sup>7</sup>

#### Order numbers

<b>GX165G-V4</b>	SMART Board® GX065-V4 Plus interactive display with embedded OS (GMS)
<b>GX175G-V4</b>	SMART Board GX075-V4 Plus interactive display with embedded OS (GMS)
<b>GX186G-V4</b>	SMART Board GX086-V4 Plus interactive display with embedded OS (GMS)

### Optional accessories

See > [smarttech.com/accessories](https://smarttech.com/accessories)

### SMART Warranty

Terms and conditions and warranty upgrade options vary by region. Visit [smarttech.com/warranty](https://smarttech.com/warranty) or contact your reseller for information.

### Cable requirements

See > *SMART cables and connectors guide* ([docs.smarttech.com/kb/171926](https://docs.smarttech.com/kb/171926))



<sup>6</sup>Product availability may vary by region.

This product has received additional certifications not listed here.

<sup>7</sup>Order numbers may vary by region.

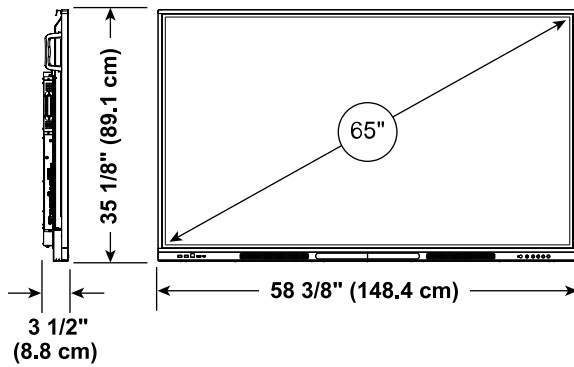
## Installation, dimensions, and weights

### Notes

- All dimensions  $\pm 1/8"$  (0.3 cm). All weights  $\pm 2$  lb. (0.9 kg).
- Product ships upright.
- Leave space around the display to ensure adequate ventilation.

### 65" models

#### Dimensions



#### Weight

79 lb. (36 kg)

#### Shipping dimensions

63"  $\times$  40 1/2"  $\times$  5 3/4"  
(160 cm  $\times$  103 cm  $\times$  14.5 cm)

#### Shipping weight

101 lb. (45.8 kg)

#### VESA mount

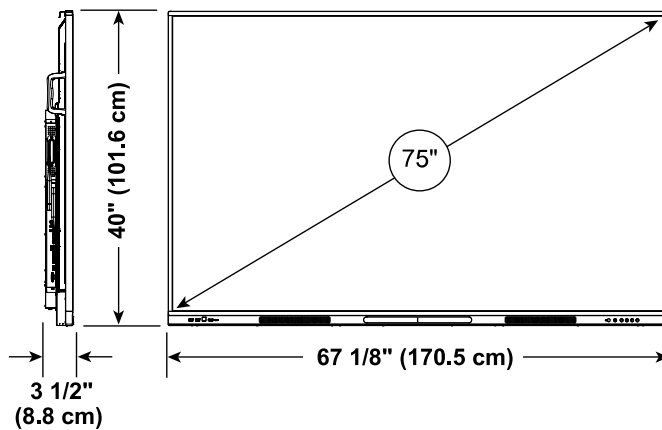
M8 | 600  $\times$  400 mm

#### Handles

2

### 75" models

#### Dimensions



#### Weight

115 lb. (52 kg)

#### Shipping dimensions

70 7/8"  $\times$  45"  $\times$  5 3/4"  
(180 cm  $\times$  114.5 cm  $\times$  14.5 cm)

#### Shipping weight

128 lb. (58.1 kg)

#### VESA mount

M8 | 800  $\times$  400 mm

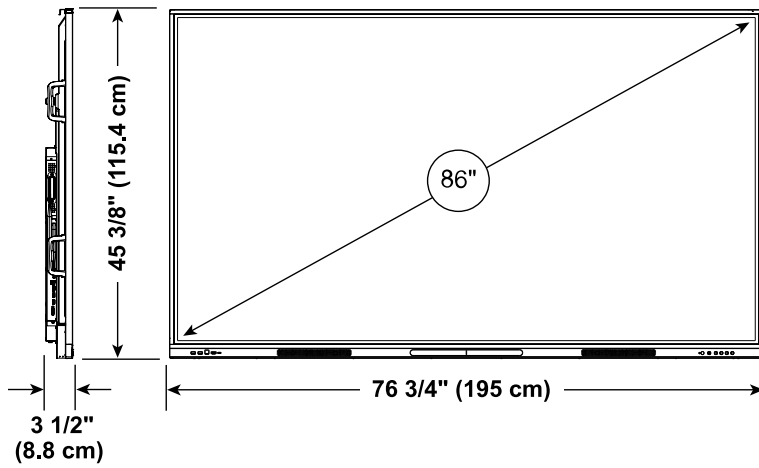
#### Handles

4

**Installation, dimensions, and weights (continued)**

**86" models**

**Dimensions**



**Weight**

141 lb. (64 kg)

**Shipping dimensions**

84 1/4" × 51 3/4" × 5 3/4"  
(214 cm × 131.5 cm × 14.5 cm)

**Shipping weight**

170 lb. (77.3 kg)

**VESA mount**

M8 | 800 × 600 mm

**Handles**

4

**smarttech.com**  
**smarttech.com/contact**

© 2025 SMART Technologies ULC. All rights reserved. SMART Board, SMART Ink, Object Awareness, Silktouch, smarttech, the SMART logo and all SMART taglines are trademarks or registered trademarks of SMART Technologies ULC in the US and/or other countries. The Adopted Trademarks HDMI, HDMI High-Definition Multimedia Interface, and the HDMI Logo are trademarks or registered trademarks of HDMI Licensing Administrator, Inc. in the United States and other countries. Android and Chrome OS are trademarks of Google Inc. All other third-party product and company names may be trademarks of their respective owners. This product and/or use thereof is covered by one or more of the following US patents: [www.smarttech.com/patents](http://www.smarttech.com/patents). Contents are subject to change without notice. July 7, 2025.